

Automatically Controlled Movement

We provide products that comply with US standards, guarantee a high quality - price ratio and we ensure short term delivery:

- Sectional and roller garage doors
- Industrial sectional doors
- Dock levellers and dock seals
- Fireproof doors and industrial roller shutters
- Automation systems for gates
- Window roller shutters
- Insect nets



Alora Sectional Garage Doors





GOLDEN OAK



GREY



WHITE



BLACK



GOLDEN OAK - LIGHT



ANTHRACITE GRAY



WALNUT



BROWN LIGHT



WHITE TEXTURED



MAHOGANY TEXTURED



WALNUT TEXTURED



DARK BROWN



GOLDEN OAK CASSETTE



MAHOGANY CASSETTE



Built for a lifetime

Based on a technology with high quality standards, Alora doors are designed to withstand more than 25000 operating cycles. Try to calculate the number of years of usage based on this value aforementioned and we guarantee 10 years of flawless operation.

Increase the value of the house

Sectional automatic garage doors are very practical, giving your house a modern touch and increasing its value. The automations for Alora doors are endorsed by Sommer Germany. In addition, side doors made in tune with the garage doors give a uniform note to the house facade.

A step towards a smart home

Automation is the future. If you think about a smart house, Alora has the solution. The command and control systems of the door can be connected to the management system of the building. In addition, one remote can control both the garage door and the access gate to your backyard.

Intelligent use of space

Sectional garage doors open vertically and run parallel to the ceiling surface. This way you will have more room in the garage and in front of it.

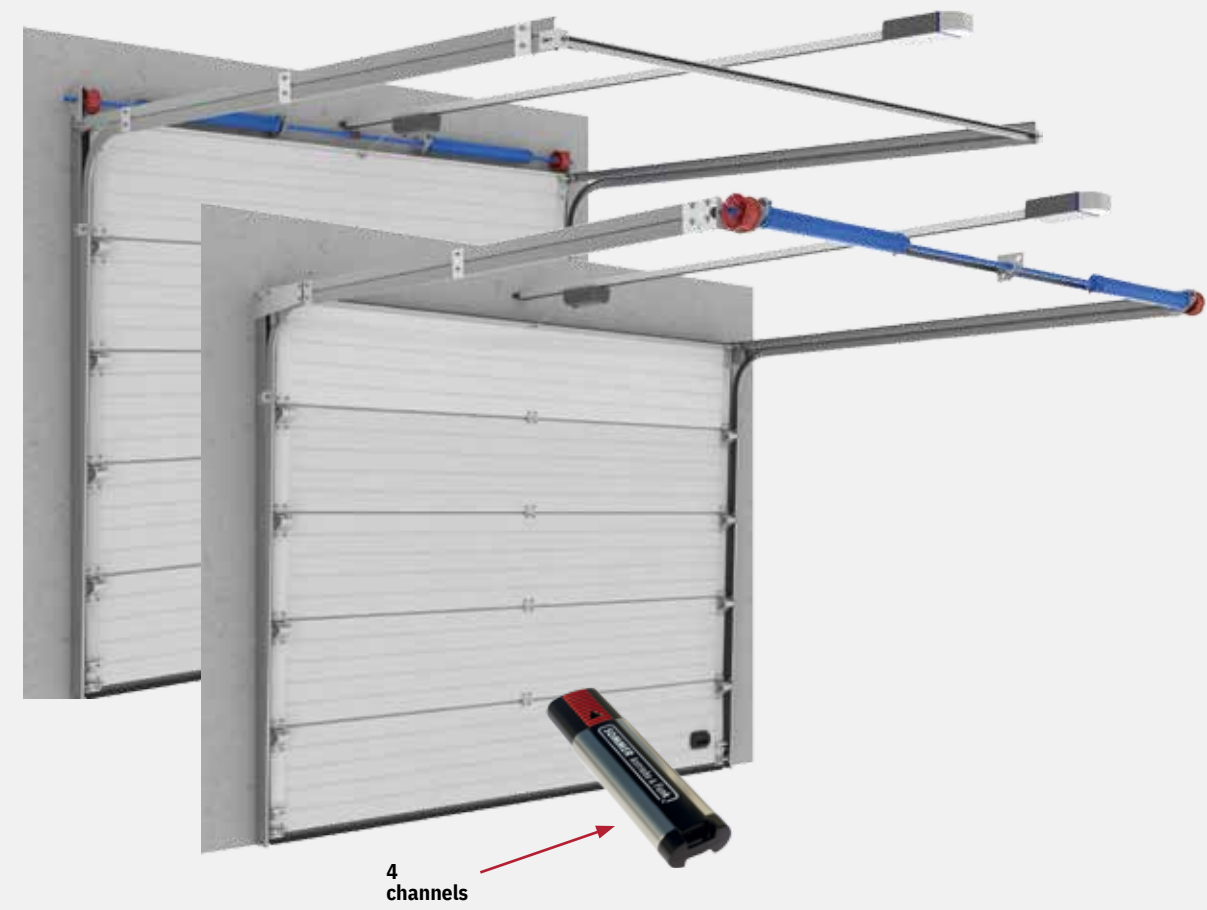
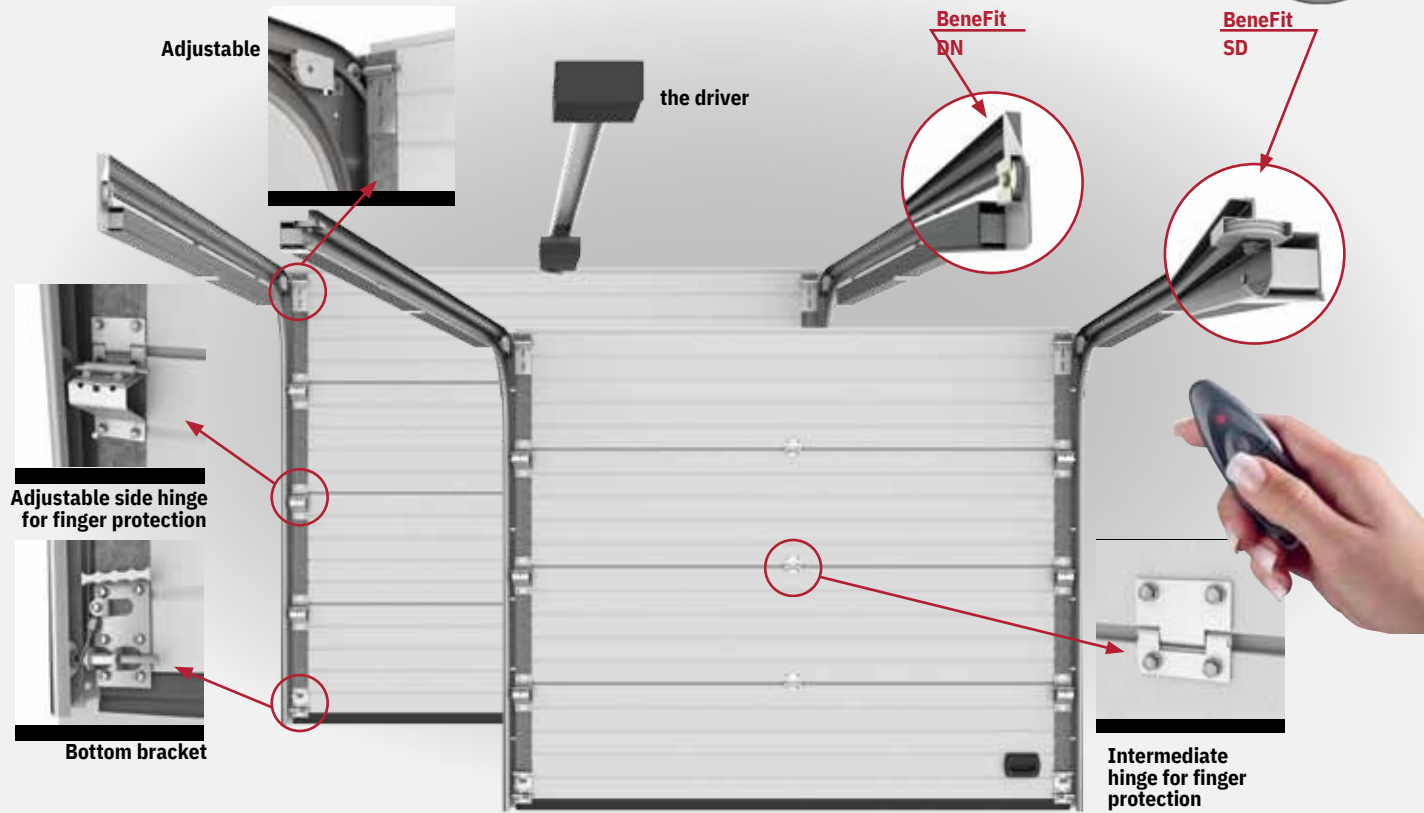
Adorn the front of the house

We are confident that you enjoy beautiful things and since the garage door may occupy an important place on the facade of your house, it should look perfect. Whatever your requirements are, we have the solution. You can choose from a range of over 40 standard panels or one of RAL colors. We can offer this because we are manufacturers and we want you to be happy about your choice.

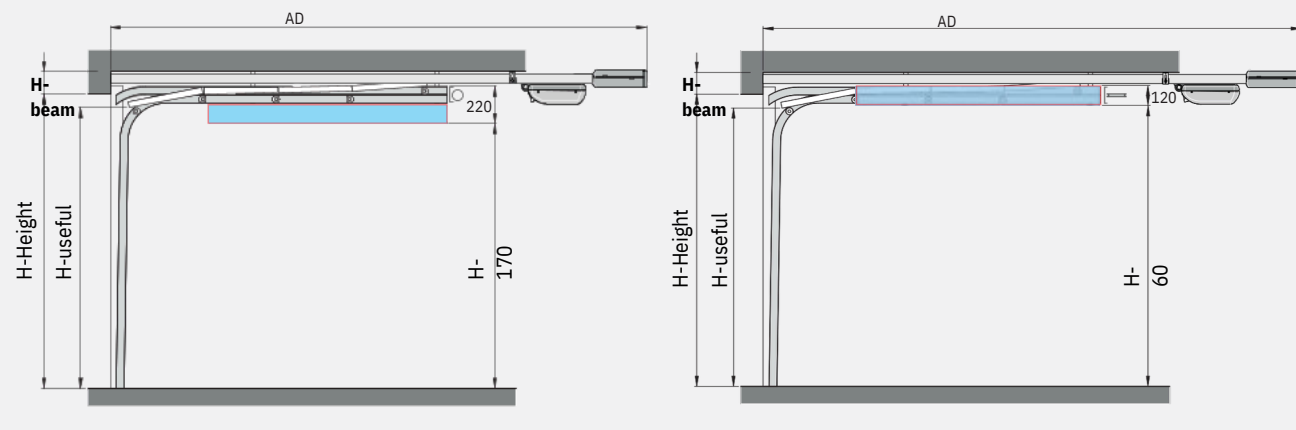
Optimal insulation for wintertime

Elastic and resistant to climate change gaskets and 40mm thick panels, make the Alora sectional garage doors an effective barriers against wind, rain and snow. Side gaskets have been doubled for a superior insulation. Due to the experience with cold winters, Alora garage doors are constructed only with panels that can efficiently isolate your garage.

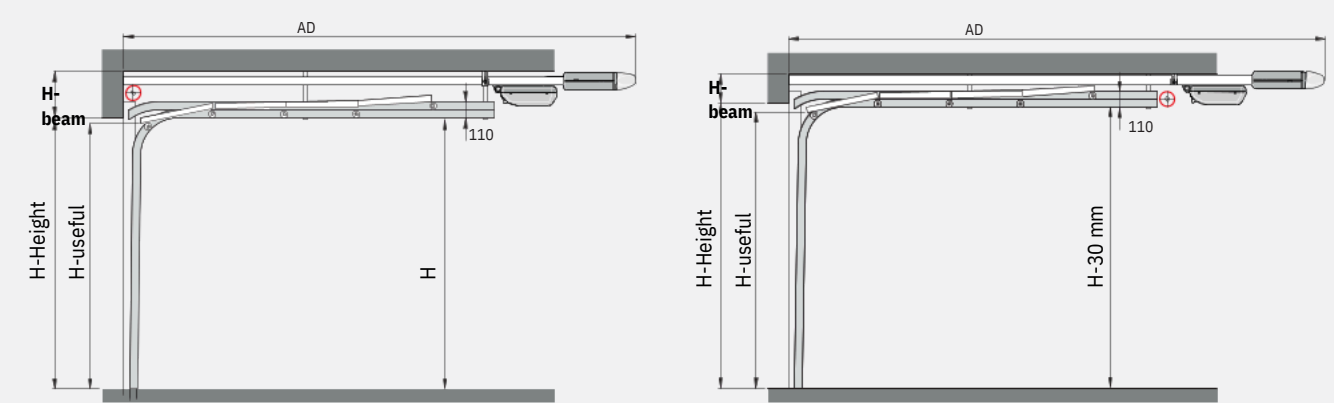
SECTIONAL DOOR SYSTEMS



Sliding systems sections: BeneFit SD & Dn



Sliding systems sections: Optima



Pedestrian Doors



Glazed sectional garage doors

Glazed sectional garage doors are generally used for two purposes: to use natural lighting inside the garage and to fit the garage door to be one with the building's facade's design. Based on the architectural requirement Alora developed many glazing solutions with windows of different shapes and sizes. The window frames can be made out of black PVC or stainless steel.

Round windows D = 330



Rectangular windows 640 x 340



Glazed panel (anodized aluminum)



Rectangular windows 610 x 140



SUN windows



Grid windows



Pedestrian doors

Often, besides the car, we keep all sorts of things in the garage, such as the bicycle. Therefore, without completely opening the garage door you can quickly have access to the things in your garage. In addition, if there is another access door into the garage, it can be produced from exactly the same material as the sectional garage door.

- The access into the garage can be made also through the wicket door.
- The low step wicket door allows easy access into the garage with bikes and strollers.
- To be in tune with the garage door, side doors can also be produced.
- The wicket door comes with a door closer fitted on the upper side to ensure its smooth closing, this way avoiding injuries.
- Door frames and handles are of anodized aluminium, aesthetic and corrosion resistant.

Wicket door for lines model.

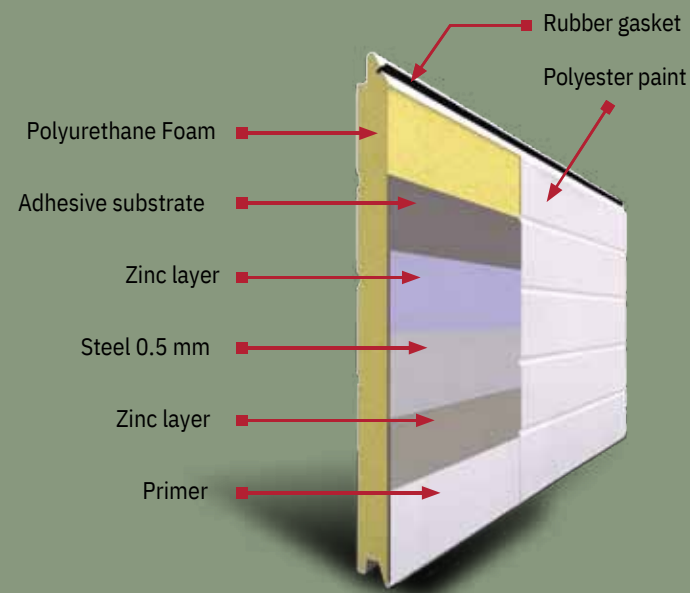


Wicket door for cassette model



Separate door





- Thermal Insulation**
 The panels are filled with polyurethane foam with excellent insulating properties. At 40 mm thickness the foam gives a double degree of insulation compared to polystyrene.
- Mechanical Strength**
 Galvanized steel sheet panels filled with 40 mm polyurethane foam. In the case of the embossed (woodgrain, stucco) panels the steel sheet has a 0.5 mm thickness and in case of the slick panels the sheet has a 0.7 mm thickness.
- Anti-finger Grip**
 The shape of the panels has been designed to avoid trapping fingers when it is manually operated.
- Uniform Color and Long-lasting Resistance**
 Through the painting process, the color layer is applied evenly and offers long-lasting resistance through the whole panel surface.
- Corrosion Resistance**
 The steel that panels are made of is protected against oxidation with layers of zinc (galvanized steel).

How to measure the sectional garage door opening

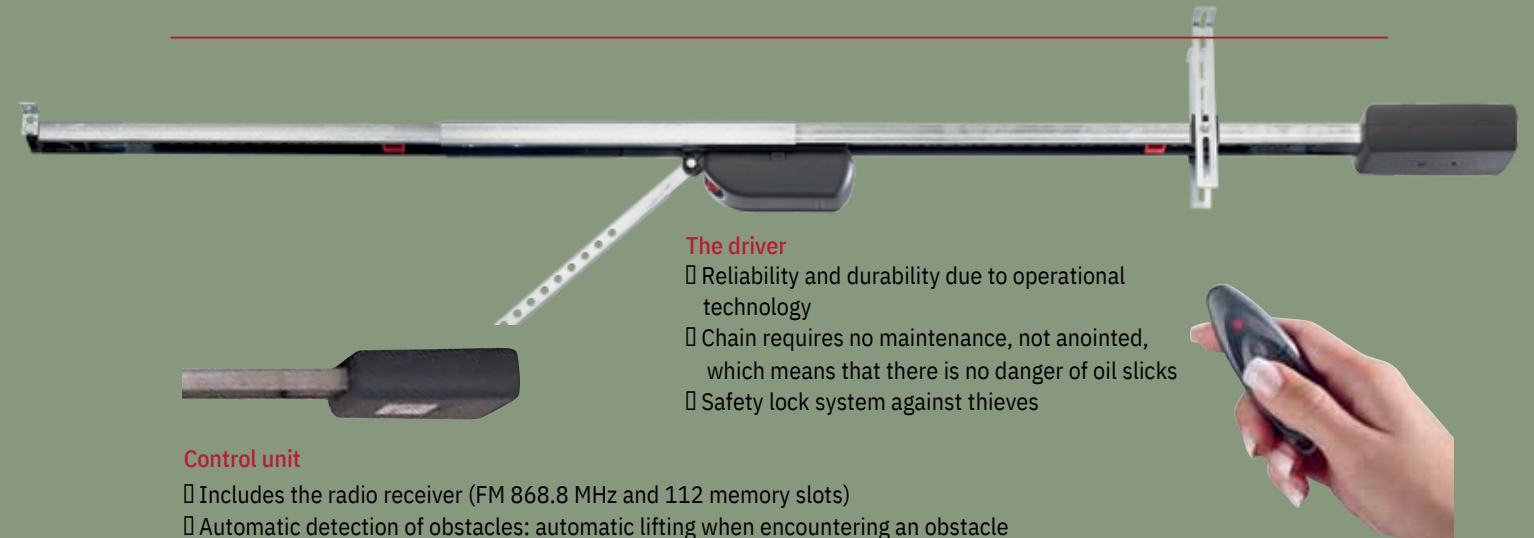
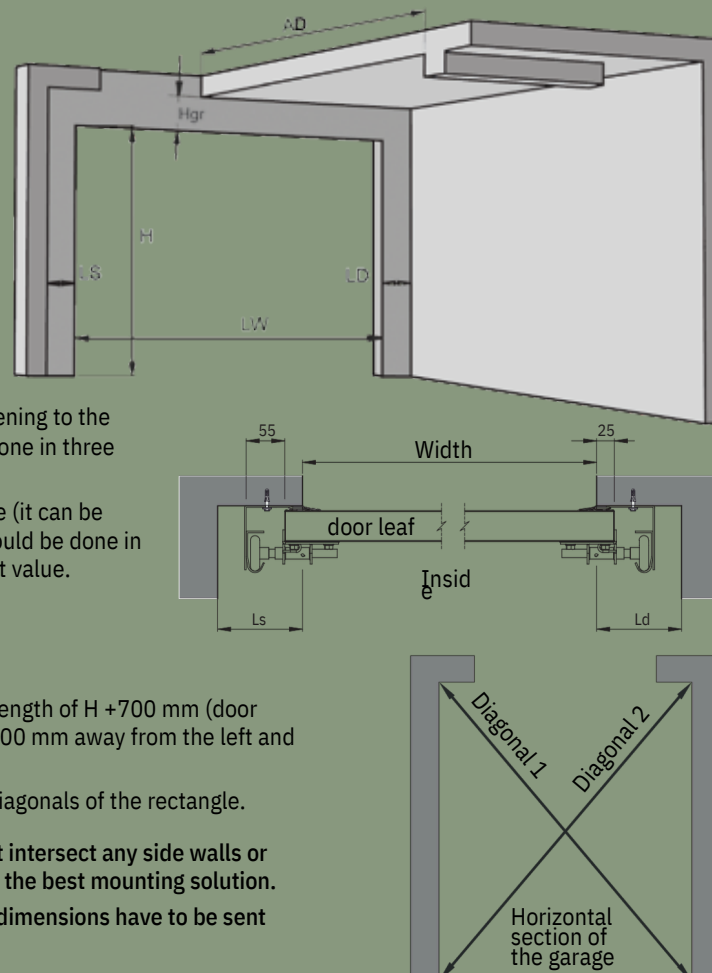
Steps to measure your garage door:

1. Measure the width (W) of the opening in three points: bottom, middle and top and choose the biggest value.
2. Measure the height (H) of the opening in three points: left, right and middle and choose the biggest value.
3. Measure the width of the right pole (Ld) (the distance from the opening to the first obstacle on the right side) in three points: low, middle and top and choose the smallest value.
4. Measure the width of the left pole (Ls) (the distance from the opening to the first obstacle on the left side) in three points: bottom, middle and top and choose the smallest value.
5. Measure the height of the lintel (HGR) - the distance from the opening to the ceiling or until the first obstacle. The measurement should be done in three points: left, right and middle choosing the smallest value
6. Measure the ceiling depth (AD) from the lintel to the first obstacle (it can be another beam or rear wall of the garage). The measurement should be done in three points: left, right and middle and then choose the smallest value.
7. Measuring the diagonals across the ceiling.
 Create an imaginary rectangle on the ceiling as follows:

- One line is the lintel
- Two parallel lines, perpendicular on the lintel and with the length of $H + 700$ mm (door opening height + 700 mm). Each of these two lines will be 100 mm away from the left and right pole's edges.
- The last line will close the created rectangle. Measure the diagonals of the rectangle.

The diagonals must be equal, so the created rectangle does not intersect any side walls or beams. If this does not happen, contact a specialist to give you the best mounting solution.

When an order for a garage door is placed, all these measured dimensions have to be sent (W,H,LS,LD,Hgr,AD).



- The driver**
- Reliability and durability due to operational technology
 - Chain requires no maintenance, not anointed, which means that there is no danger of oil slicks
 - Safety lock system against thieves

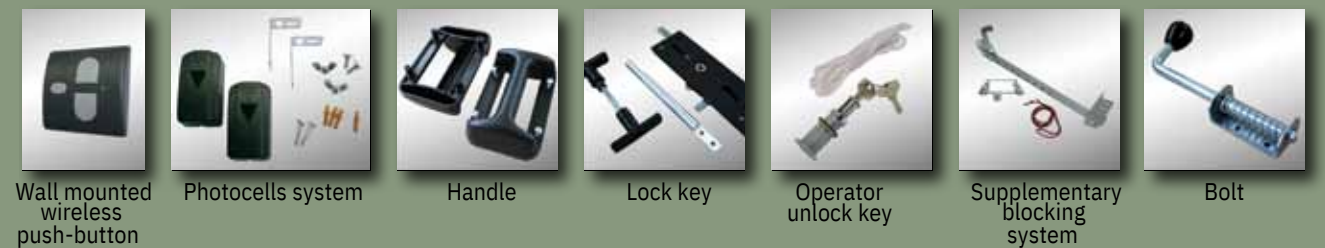
- Control unit**
- Includes the radio receiver (FM 868.8 MHz and 112 memory slots)
 - Automatic detection of obstacles: automatic lifting when encountering an obstacle
 - Technology for automatic adjustment of power (Dynamic Power System): It calculates the force necessary to operate the door automatically, adjusting to a maximum safe operating

- The Driver**
- Reliability and durability due to operational technology
 - Chain requires no maintenance, not anointed, which means that there is no danger of oil slicks
 - Locking system against thieves
- Control Unit**
- Includes the radio receiver (FM 868.8 MHz and 112 memory slots)
 - Integrated lighting lamp
 - Automatic detection of obstacles: automatic lifting when encountering obstructions
 - Technology for automatic adjustment of labor (Dynamic Power System)



- Emergency Release**
- The unique SOMMER emergency release system ensures that the gate can be opened (unlocked) and locked manually in any position. Only with SOMMER your gate remains locked (closed) during a power failure as well and this offers you optimal safety in any situation.

Accessories



Wall mounted wireless push-button Photocells system Handle Lock key Operator unlock key Supplementary blocking system Bolt